

USER'S GUIDE



AIR CURTAINS

Models: FM-3509-L/Y, FM-3510-L/Y,
FM-3512-L/Y, FM-3515-L/Y



Thanks for purchasing this Air Curtain.
PLEASE READ AND SAVE THESE INSTRUCTIONS.
**Strongly recommend to test the unit before installation for any
defective or damage during shipment.**

WARNING – TO REDUCE THE RISK OF FIRE, ELECTRIC SHOCK, OR INJURY TO PERSONS, OBSERVE THE FOLLOWING:

- A. Always disconnect, lock and tag power source before installing or servicing. Failure to disconnect power source can result in fire, shock or serious injury.**
- B. Installation work and electrical wiring must be done by qualified person(s) in accordance with all applicable codes and standards, including fire-rated construction.**
- C. When cutting or drilling into wall or ceiling, do not damage electrical wiring and other hidden utilities.**
- D. To reduce the risk of fire or electric shock, do not use this fan with any solid-state speed control device**
- E. Repair and maintenance operations can only be performed by qualified personnel.**
- F. Verify and ensure the rated voltage and frequency (please refer to the rating label) of the air curtain is in compliance with the mains supply.**

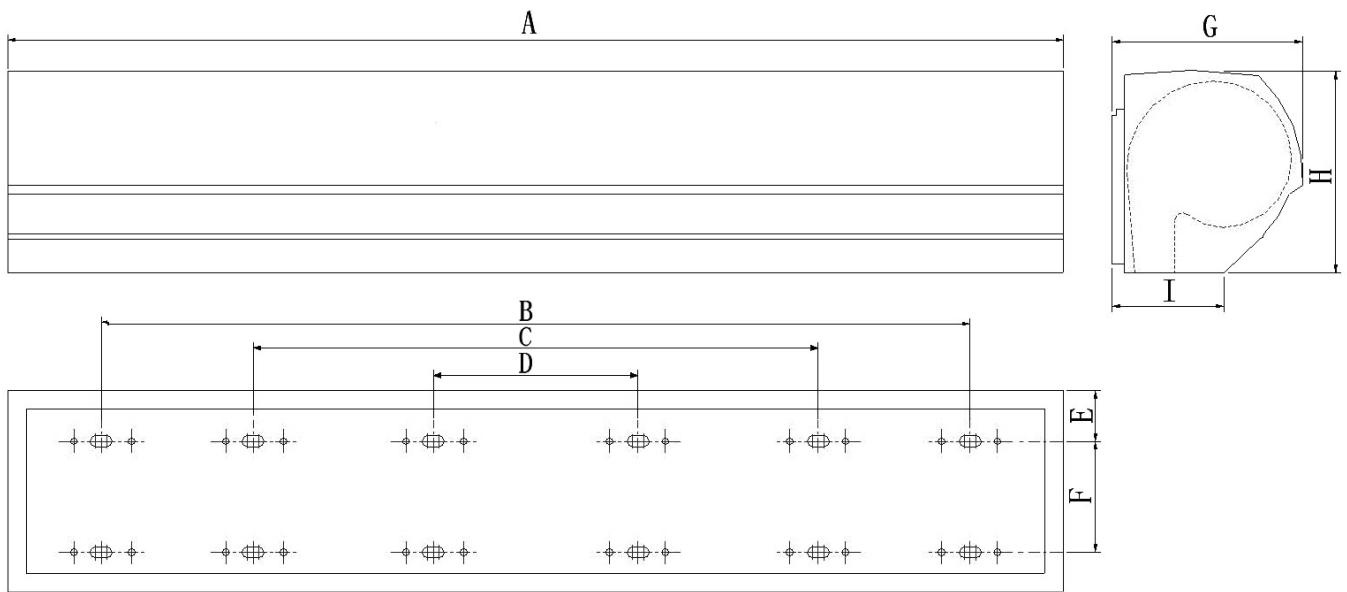
CONTENTS

1. PRODUCT INTRODUCTIONS.....	1
2. INSTALLATION DIMENSIONS.....	2
3. INSTALLATION CAUTIONS.....	3
4. INSTALLATION INSTRUCTIONS.....	4
5. TECHNICAL PARAMETER.....	5
6. WIRING DIAGRAM.....	6
7. OPTIONAL DOOR MICRO SWITCH INSTALLATION.....	6
8. OPERATING INSTRUCTIONS.....	8
9. MAINTENANCE AND CLEANING.....	8
10. SUPPORT AND CONTACT.....	8

1. PRODUCT INTRODUCTIONS

Air curtains are widely installed at the entrances of supermarket, theater, meeting room, hotel, office room, storeroom etc. They can reduce penetration of insects, dust...unconditioned air into a conditioned space by forcing an air stream over the entire entrance to create a comfortable environment for you.

2. INSTALLATION DIMENSIONS



UNIT: inch

MODEL	A	B	C	D	E	F	G	H	I
FM-3509-L/Y	35.43	---	27.36	---	2.91	3.94	8.46	9.06	4.84
FM-3510-L/Y	42.00	---	27.36	---					
FM-3512-L/Y	47.24	---	38.98	11.61					
FM-3515-L/Y	59.06	---	50.59	19.84					

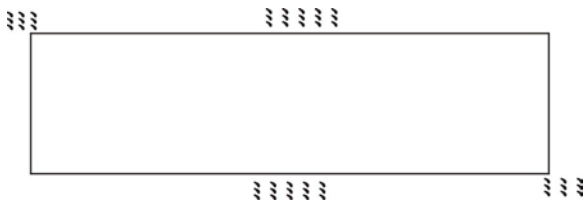
Note: the data are subjected to change without notice due to product development.

3. INSTALLATION CAUTIONS

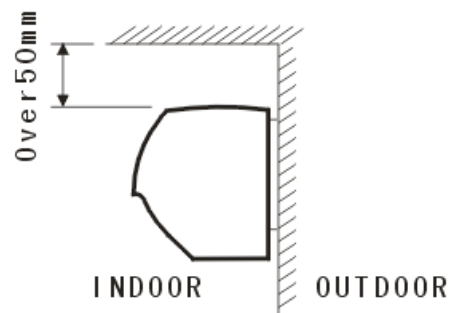
Must observe the following when installing air curtains:

Strongly recommend to test the unit before installation for any defective or damage during shipment.

3.1 Please install the unit on a sturdy supporting structure to avoid shaking and ensure its security (because the unit running may cause the wall to become loose or shake and make noise).

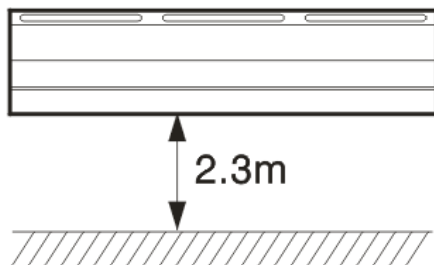


3.2 Please install the unit inside the room.

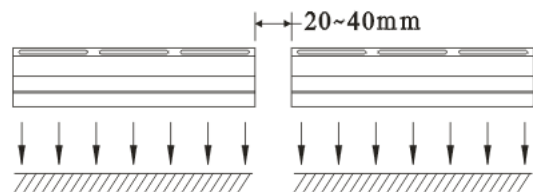


3.3 Don't install the unit too low, no less than 2.3 meters from the ground.

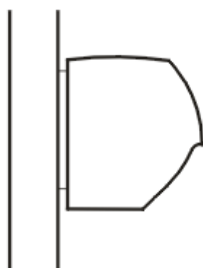
ATENCIÓN : No instale la unidad demasiado bajo, no menos de 2,3 metros del suelo.



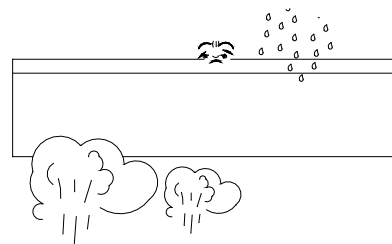
3.4 When the entrance is wider than the unit, it is recommended to install two or more units in parallel. In this case, provide 20-40mm gaps between the units.



3.5 Don't allow gaps between the unit and the wall.



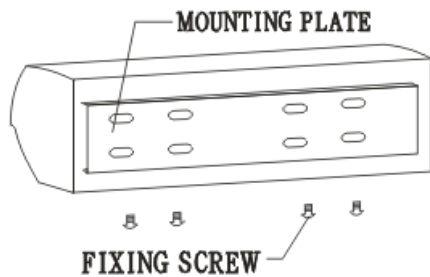
3.6 Don't install the unit at a place where it is splashed by water, exposed to excessive steam, explosive gas or corrosive gas.



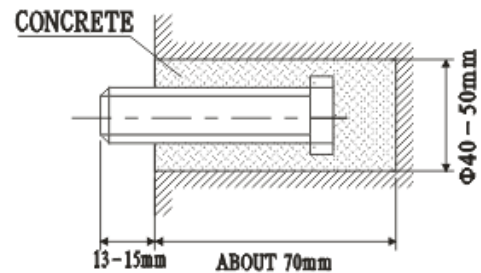
4. INSTALLATION INSTRUCTIONS

A. Installing on the concrete wall:

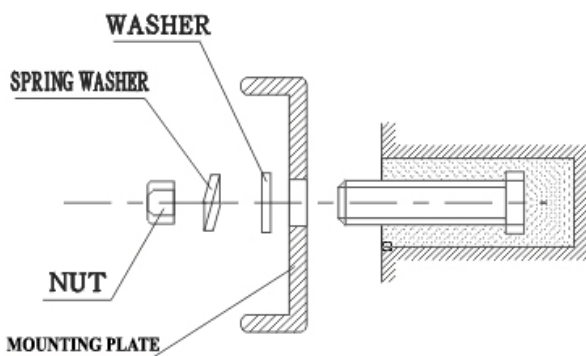
4.1.1 Unscrew the fixing screws to remove the mounting plate from the back of the main body.



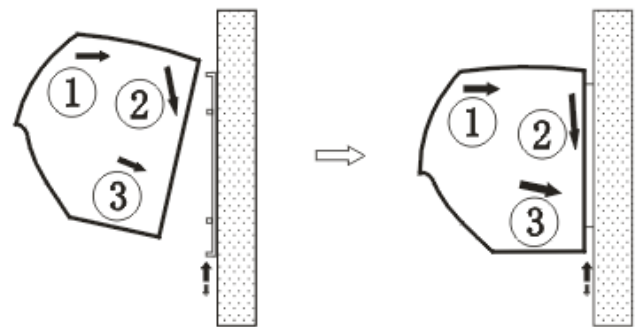
4.1.2 Determine the mounting location with the mounting plate. Secure the bolts in place. (Fill cement into the bolt holes if needed)



4.1.3 Tighten the nuts to secure the mounting plate to the wall after cement setting (use the washers and nuts as the Fig shows).

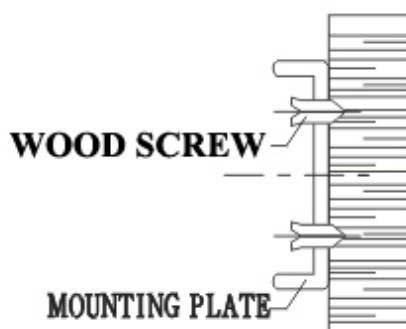


4.1.4 Hang the main body onto the upper end of the mounting plate, and then tighten the bottom fixing screws back to the mounting plate.

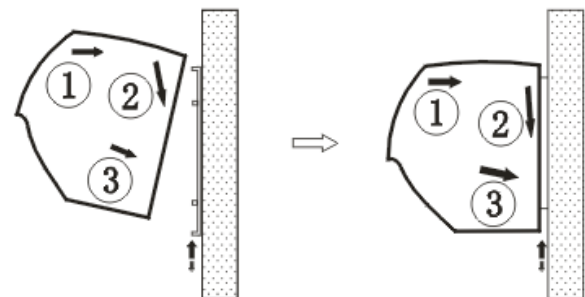


B. Installing on the wooden wall: **(Note: make sure the screws are secured in the wood, attach an extra wood frame to the wall if needed.)**

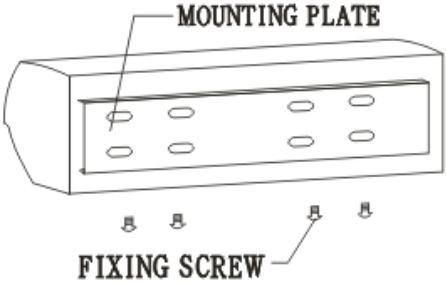
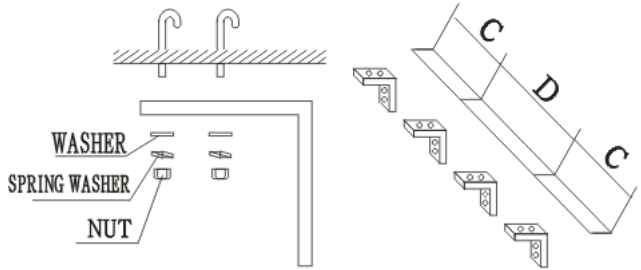
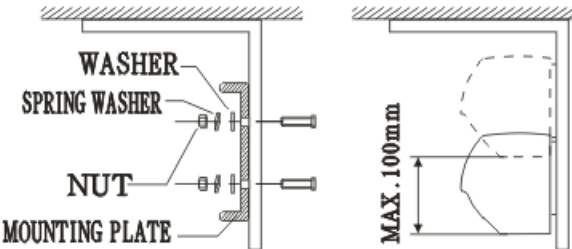
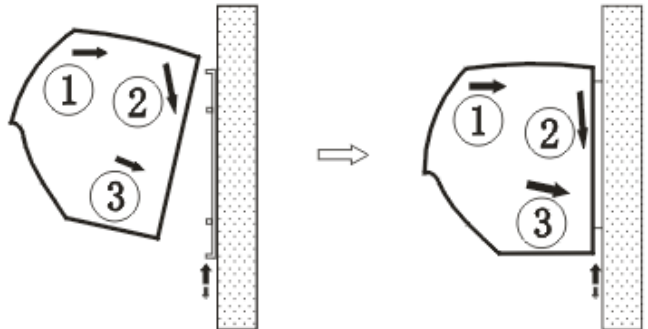
4.2.1 Refer to step 4.1.1 and determine the mounting location, then securely mount the mounting plate to the wooden wall with tapping screws.



4.2.2 Hang the main body onto the upper end of the mounting plate, and then tie the bottom fixing screws back to the mounting plate.



C. Installing from the ceiling: **(Note: this installation is NOT recommended; the ceiling brackets are not supplied.)**

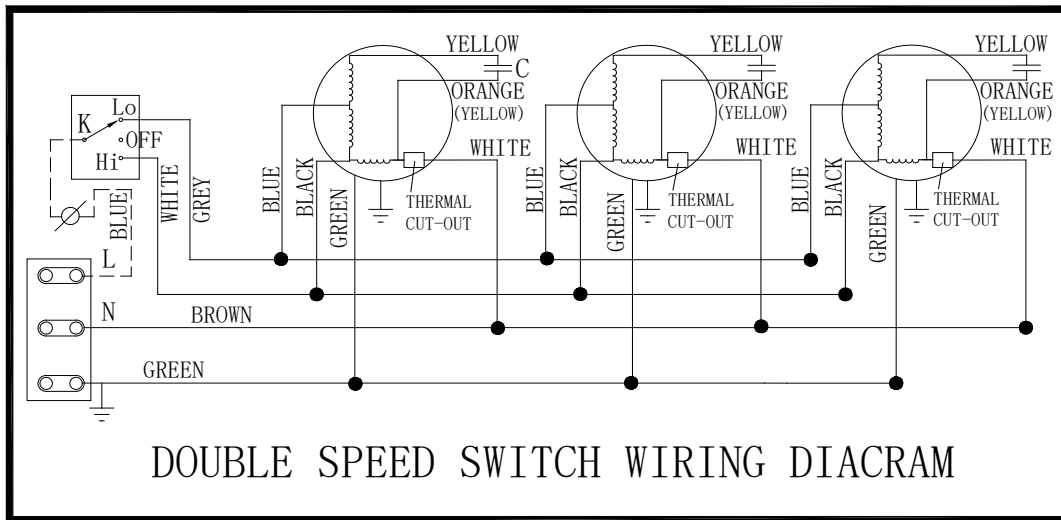
<p>4.3.1 Remove the mounting plate from the main body as per the step 4.1.1</p> 	<p>4.3.2 Securely mount the ceiling brackets (not included) as the Fig shows.</p> 
<p>4.3.3 Fix the mounting plate to the ceiling brackets and tighten it securely as the Fig shows. The position of the mounting plate can be adjusted in vertical direction according to need, but the max distance is 100mm.</p> 	<p>4.3.4 Hang the main body onto the upper end of the mounting plate, and then tie the bottom fixing screws back to the mounting plate.</p> 

5. TECHNICAL PARAMETER

Model No.	Voltage (V~Hz)	Power (W)		Max air velocity (FPM)		Air volume (m ³ /h)		Noise level (dB)		Net weight (Lb)	
		H	L	H	L	H	L	H	L		
FM-3509-L/Y	120V, 60Hz	300	270	3150	2559	1100	900	52	49	28.7	
FM-3510-L/Y		320	300			1200	1000	52	49		30.9
FM-3512-L/Y		400	360			1500	1200	53	50		34.2
FM-3515-L/Y		500	470			1900	1500	55	52		44.1

Note: the data are subjected to change without notice due to product development.

6. WIRING DIAGRAM

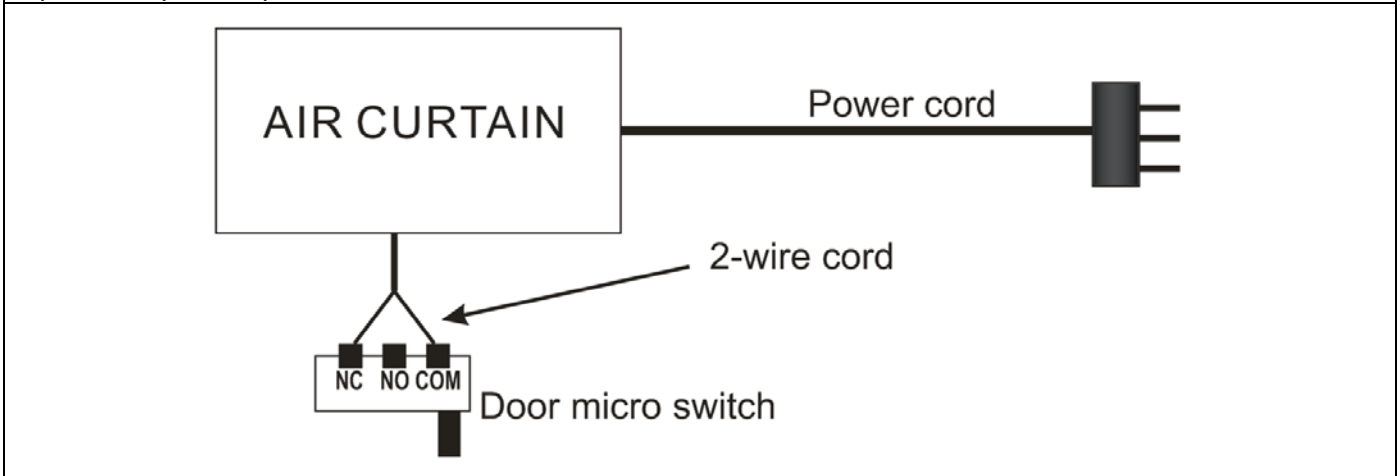


7. OPTIONAL DOOR MICRO SWITCH INSTALLATION

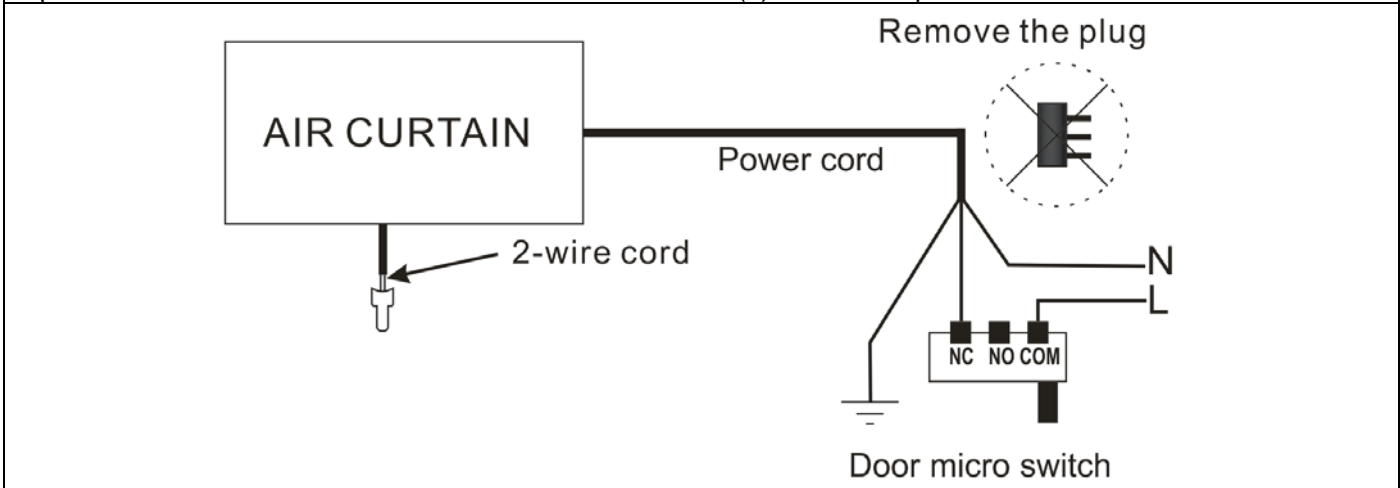
Please purchase the door micro switch if not supplied with the product.

Note: consult with your electrical professional for electrical connection.

Option 1: Open the provided 2-wire cord, extend and connect the wires to the door micro switch

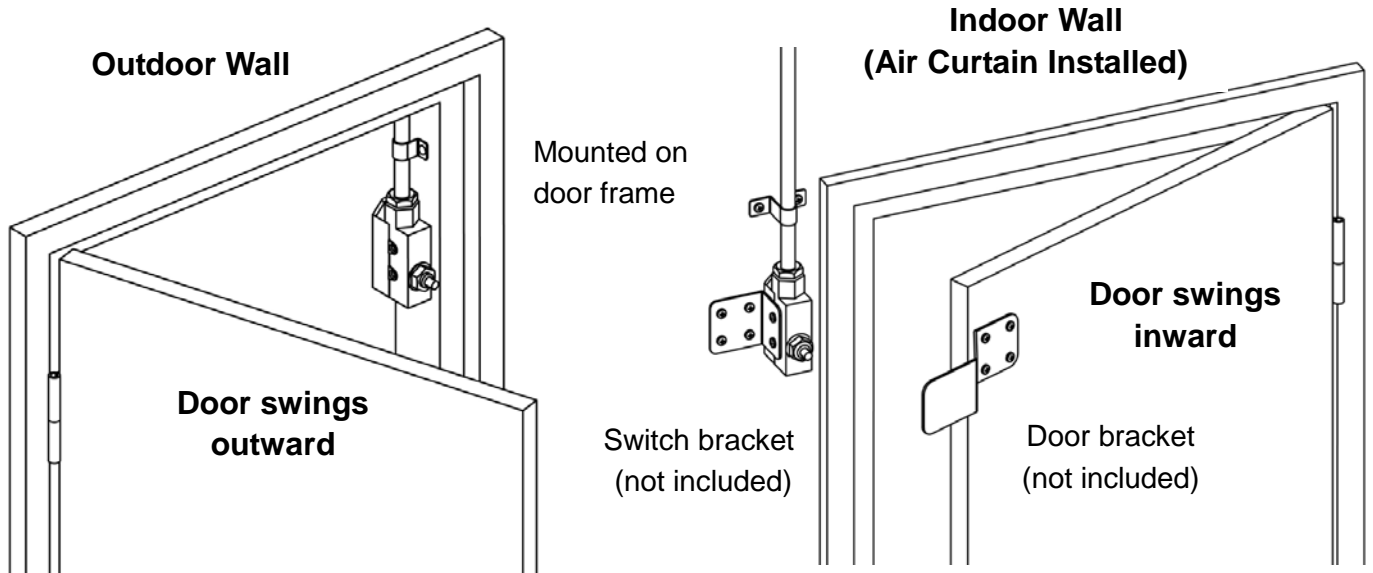


Option 2: Connect the door micro switch into the Hot Line (L) wire of the power cord



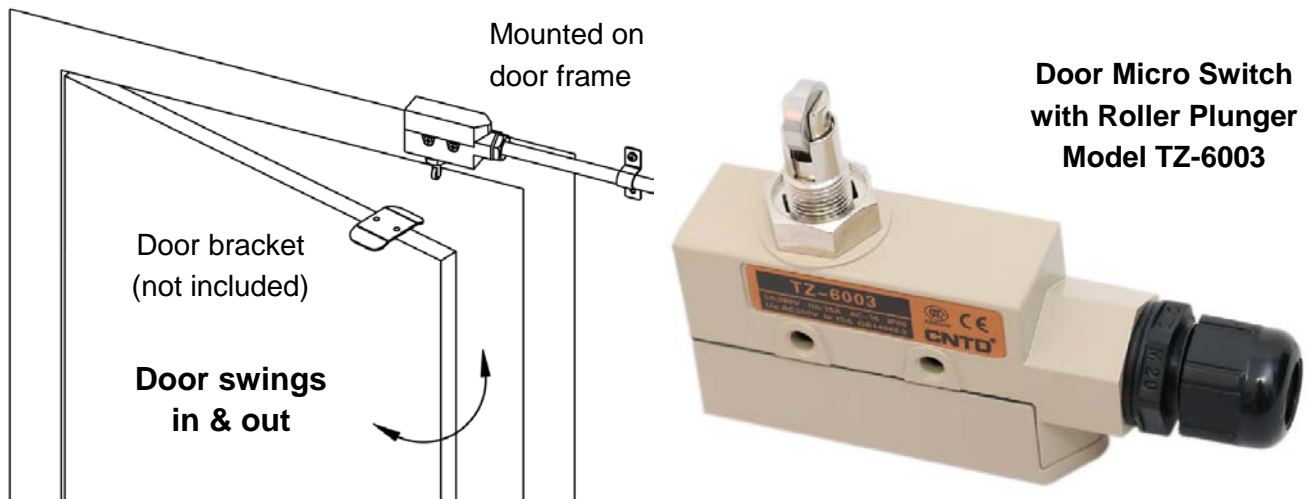
The air curtain should be installed indoor, please follow the below diagrams for the recommended installation.

7.1 If the door swings outward, mount the micro switch (model TZ-6001 or TZ-6003) on side of the door frame (or the upper side of door frame).

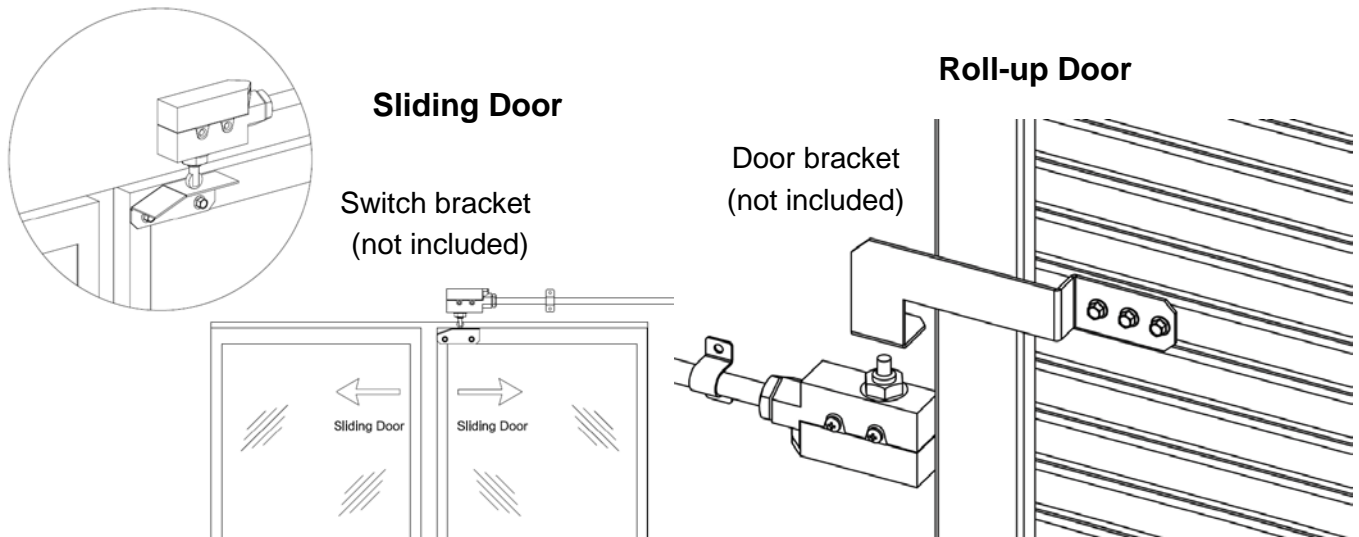


7.2 If the door swings inward, please use metal sheet to create the brackets (not included) as shown in above to install the micro switch (model TZ-6001 or TZ-6003).

7.3 If the door swings in and out, please place the micro switch **with Roller Plunger** (model TZ-6003) on the upper side of the door frame with a metal bracket (not included) mounted on the top of the door as show below.



7.4 Refer to the below micro switch installation 2 diagrams for Sliding Door (micro switch model TZ-6002) and Roll-up Door (micro switch model TZ-6001 or TZ-6003).



8. OPERATING INSTRUCTIONS

8.1 Connect power to the unit.

8.2 Push the power switch to the left/right to switch on the unit. [L] - Low speed, [H] - High speed.

8.3 Adjust the air deflector to obtain optimum effect.

9. MAINTENANCE AND CLEANING

WARNING:

- A. Any service is to be performed only by qualified personnel who are familiar with local codes and regulations and are experienced with this type of product.
- B. Always unplug or disconnect the appliance from the power supply before servicing or cleaning the unit.
- C. Never use petrol, benzene, thinners or any other such chemicals for cleaning the unit.
- D. Don't allow water or any liquid to enter the motor.

9.1. Use the unit at the rated voltage and frequency indicated on the rating label.

9.2. Disconnect power source before unit installation or maintenance service.

9.3. Routine maintenance must be done every year.

9.4. Plastic parts should be cleaned with mild soap water, thoroughly remove soap film with a clean damp cloth.

9.5. Wipe the exterior surfaces of the fan with a moistened cloth with a solution of mild detergent and water.

9.6. Dry the case with a soft dry cloth before operating the unit.

10. SUPPORT AND CONTACT

Contact your local seller for exchange or repair.

Visit www.awoco.com for most updated information.

Email to sales@awoco.com for technical support and sales activity.