

Installation Guide & User Manual

Version: RH-ISG-201708

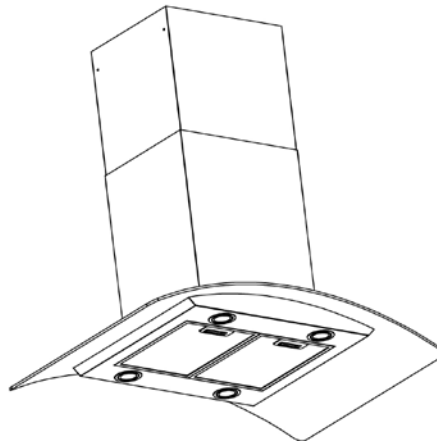


Island Glass Series

Island Range Hoods

Model: RH-ISG (36")

6" Top Vent, 1mm Thickness



STOP and read! Test before installing

1. Please unpack the range hood and accessories carefully.
2. Remove the baffle filters, check any dent or damage inside and outside.
3. If found any loosing parts, please remove them.
4. Place the range hood on a flat stable surface, plug in 120V AC power source. Press the power button and the speed buttons to turn on.
5. Check if any unusual metal touching noise, check the speed variation, and press the Light button to check the lights.
6. Verify all functions per Section 9 RANGE HOOD OPERATIONS.
7. Refer to Section 10 TROUBLESHOOTING if any malfunction was found.

IMPORTANT:

Read and save these instructions.

NOTICE:

Installer: Leave this guide with the homeowner

Homeowner: Keep this guide for future reference

PLEASE READ AND SAVE THESE INSTRUCTIONS.

Strongly recommend to test the unit before installation for any defective or damage during shipment.

WARNING – TO REDUCE THE RISK OF FIRE, ELECTRIC SHOCK, OR INJURY TO PERSONS, READ THE FOLLOWING CAREFULLY before attempting to assemble, install, operate or maintain the product.

- A. Always disconnect, lock and tag power source before installing or servicing product. Failure to disconnect power source can result in fire, shock or serious injury.**
- B. Installation work and electrical wiring must be done by qualified person(s) in accordance with all applicable codes and standards, including fire-rated construction.**
- C. When cutting or drilling into wall or ceiling, do not damage electrical wiring and other hidden utilities.**
- D. Verify and ensure the rated voltage and frequency (please refer to the rating label) of the range hood is in compliance with the mains supply.**

CONTENTS

1. KNOW BEFORE INSTALLATION.....	2
2. INCLUDED PARTS & ACCESSORIES	3
3. IMPORTANT SAFETY NOTICE	4
4. VENTING HEIGHT REQUIREMENTS	6
5. VENTING METHODS	8
6. ELECTRICAL REQUIREMENTS & SPECIFICATIONS.....	9
7. INSTALLATION PREPARATION	10
8. INSTALLATION INSTRUCTIONS.....	10
9. RANGE HOOD OPERATIONS.....	12
10. TROUBLESHOOTING	13
11. MAINTENANCE AND CLEANING	14
12. MEASUREMENTS AND DIAGRAMS	15
13. WARRANTY.....	15
14. SUPPORT AND CONTACT	16

1. KNOW BEFORE INSTALLATION

Research, plan and prepare the optional accessories & tools.

Duct venting and accessories (NOT INCLUDED)

- If for new installation or your old range hood doesn't have exhaust duct, prepare to cut the openings through the bottom of the ceiling or wall. A 6" aluminum round duct is included (Recommend to purchase a higher quality 6" semi-rigid aluminum duct if you are not satisfied with these provided duct). Refer to Section 5 VENTING METHODS for detail.
- Check the existing exhaust duct size. If not 6" round metal duct, try to get the converter / reducer / adapter / elbow as shown in the pictures.



- The damper is included on the top vent.
- Also prepare the cutting tools (jig saw or reciprocating saw), screw drivers or power drill, level, measuring tape, knife, duct/foil tape, screws, marker/pencil, etc.



- 2 people are required for the installation.



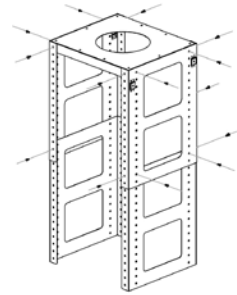
2. INCLUDED PARTS & ACCESSORIES



Island Mounted
Range Hood with
Tempered Glass



Stainless Steel
Extendable Duct Covers



4 Angle Iron Bars and
Top Mounting Plate Form
a Metal Mounting Frame



6" Aluminum Duct
(Recommend to purchase a higher quality
6" semi-rigid aluminum duct if you are not
satisfied with these provided duct)



Baffle Filters

Note: the supplied are subjected to change without notice due to product development.

3. IMPORTANT SAFETY NOTICE

Read all Instructions before Installing and operating this appliance

Installation Cautions

- The installation in this manual is intended for qualified installers, service technicians or persons with similar qualified background. Installation and electrical wiring must be done by qualified professionals and in accordance with all applicable codes and standards, including fire-rated construction.
- **DO NOT** attempt to install this appliance yourself. Injury could result from installing the unit due to lack of appropriate electrical and technical background.
- Range hood may have very sharp edges; please wear protective gloves if it is necessary to remove any parts for installing, cleaning or servicing.
- Before installation, turn on the range hood to test for any damage / defect due to shipping.
- Due to the size and weight of this range hood, two people installation is required.

To reduce the risk of fire, electric shock, or injury to persons:

- For general ventilating use only. **DO NOT** use to exhaust hazardous or explosive materials and vapors.
- The combustion air flow needed for safe operation of fuel-burning equipment may be affected by this unit's operation. Follow the heating equipment manufacturer's guideline and safety standards such as those published by the National Fire Protection Association (NFPA), and the American Society of Heating, Refrigeration and Air Conditioning Engineers (ASHRAE), and the local code authorities.
- Before servicing or cleaning unit, unplug the power cord or switch power OFF at service panel and lock service panel to pre-vent power from being switched ON accidentally.
- Clean grease laden surfaces frequently. To reduce the risk of fire and to disperse air properly, make sure to vent air outdoors. **DO NOT** vent exhaust into spaces between walls, crawl spaces, ceiling, attics or garages.
- Use only metal ductwork and this unit **MUST** be grounded.
- Sufficient air is needed for proper combustion and exhausting of gases through the duct to prevent back drafting.
- When cutting or drilling into wall or ceiling, be careful not to damage electrical wiring or other hidden utilities.
- All electrical wiring must be properly installed, insulated and grounded.
- Old duct work should be cleaned or replaced if necessary to avoid the possibility of a grease fire.
- Check all joints on duct work to insure proper connection and all joints should be properly taped.
- Use this unit only in the manner intended by the manufacturer. If you have questions, contact the vendor.

To reduce the risk of a stove top grease fire:

- Keep all fan, baffle, spaces, filter, grease tunnel, oil container and grease-laden surfaces clean. Grease should not be allowed to accumulate on fan, baffle, spaces, filter, and grease tunnel and oil container.
- Always turn range hood ON when cooking at high heat or when cooking flaming foods.
- Use high settings on cooking range only when necessary.
- Never leave surface units (countertop/stove) unattended at high settings. Boil overs cause smoking and greasy spillover that may ignite. Heat oils slowly on low or medium settings.
- Clean ventilating fan frequently.

- Always use appropriate cookware and utensils size.
- Always use cookware appropriate for the size of the surface element.

To reduce the risk of injury to persons in the event of a stove top grease fire:

- SMOTHER FLAMES with a close-fitting lid, cookie sheet, or metal tray, then turn OFF the burner. BE CAREFUL TO PREVENT BURNS. NEVER PICK UP A FLAMING PAN—you may be burned. KEEP FLAMMABLE OR COMBUSTIBLE MATERIAL AWAY FROM FLAMES. If the flames DO NOT go out immediately, EVACUATE AND CALL THE FIRE DEPARTMENT or 911.
- DO NOT USE WATER, including wet dishcloths or towels — a violent steam explosion will result.
- Use an extinguisher ONLY if:
 - You know you have a Class A, B, C extinguisher, and you already know how to operate it.
 - The fire is small and contained in the area where it is started.
 - The fire department is being called.
 - You can fight the fire with your back to an exit.

To reduce the risk of injury to persons in the event of a gas leak:

- Extinguish any open flame.
- DO NOT turn on the lights or any type of appliance.
- Open all doors and windows to disperse the gas. If you still smell gas, call the gas company and fire department, or 911 immediately.

Your safety and the safety of others are very important. We have provided many important safety messages in this manual and on your appliance. Always read and obey all safety messages. All safety messages will tell you what the potential hazard is, tell you how to reduce the chance of injury, and tell you what can happen if the instructions are not followed.

WARNING

This is the safety alert symbol. This symbol alerts you to potential hazards that can hurt you and others. All safety messages will follow the safety alert symbol and the word “WARNING”.

You hold all responsibility in the event of failure to observe the instructions given here for installation, maintenance and suitable use of the product. Further declines all responsibility for injury due to negligence and the warranty of the unit automatically expires due to improper maintenance.

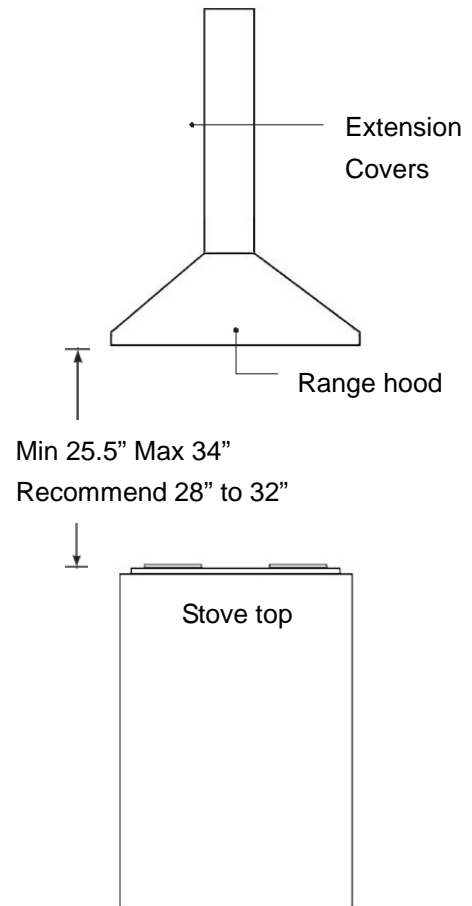
It will not be held responsible for any damages to personal property or real estate or any bodily injuries whether caused directly or indirectly by the range hood.

4. VENTING HEIGHT REQUIREMENTS

- Vent system must terminate to the outside (roof or side wall).
- DO NOT terminate the vent system in an attic or other enclosed area.
- DO NOT use 4" (10.2 cm) laundry-type wall caps.
- Use metal/aluminum vent only. Rigid or flexible metal / aluminum vent duct is recommended.
- DO NOT use plastic vent.
- Always keep the duct clean to ensure proper airflow.
- Measure and estimate the following figures before installation:
 1. *Distance between the countertop/stove to the bottom of the range hood. Recommend 28" to 32" for ideal performance, minimum 25.5" (inches) for safety concern.*
 2. *Height of hood and duct.*

For the most efficient & quiet operation:

- A distance of 28" to 32" is recommended between stove top and the bottom of range hood.
- The vent duct isn't included. It is recommended that the range hood be vented vertically through the roof through 6" (15.2 cm) or bigger round metal/aluminum vent work, such as 6 in. x 8 ft. semi-rigid aluminum flexible duct.
- The size of the vent should be uniform.
- Use no more than three 90° elbows.
- Make sure there is a minimum of 24" (61 cm) of straight vent between the elbows if more than one elbow is used.
- DO NOT install two elbows together.
- The length of vent system and number of elbows should be kept to a minimum to provide efficient performance.
- The damper is on the top vent of the range hood.
- Use silver tape or duct tape to seal all joints in the vent system.
- Use caulking silicone to seal exterior wall or roof opening around the cap.



IMPORTANT:

- Please use Duct Run Calculation below to compute total available duct run when using elbows, transitions and caps.
- ALWAYS, when possible, reduce the number of transitions and turns. If long duct run is required, increase duct size from 6” to 7” or 8”. If a reducer is used, install a long reducer instead of a pancake reducer. Reducing duct size will restrict airflow and decrease airflow, thus reduce duct size as far away from opening as possible.
- If turns or transitions are required: Install as far away from opening and as far apart, between 2, as possible.
- Minimum mount height between stove top to hood bottom should be no less than 25.5-inch.
- Maximum mount height between stove top to hood bottom should be no higher than 34-inch.
- It is important to install the hood at the proper mounting height. Hoods mounted too low could result in heat damage and fire hazard; while hoods mounted too high will be hard to reach and will reduce its performance and efficiency.
- If available, also refer to stove top manufacturer’s height clearance requirements and recommended hood mounting height above range.

Minimum Duct Size:

- Round - 6” minimum
- Rectangular - 3-1/4 x 10” minimum (requires a 6” to 3-1/4x10” adaptor, not supplied)

Calculating Vent System Length

To calculate the length of the system you need, deduct the equivalent feet for each vent piece used in the system from the recommended maximum duct run.

Duct Run Calculation	
Recommended maximum straight duct run	
6” or 3-1/4 x 10” duct	50 ft
Vent piece deduction	
Each 90° elbow used	9 ft
Each 45° elbow used	5 ft
Each 6” to 3/14 x 10” transition used	7 ft
Side wall cap with damper	0 ft
Roof cap	0 ft

Duct Run Calculation example:

*One roof cap, two 90° elbow, and one 45° elbow used:
0ft + 9ft + 9ft + 5ft = 23ft used.*

Deduct 23ft from 50ft, 27ft maximum available for the duct run.

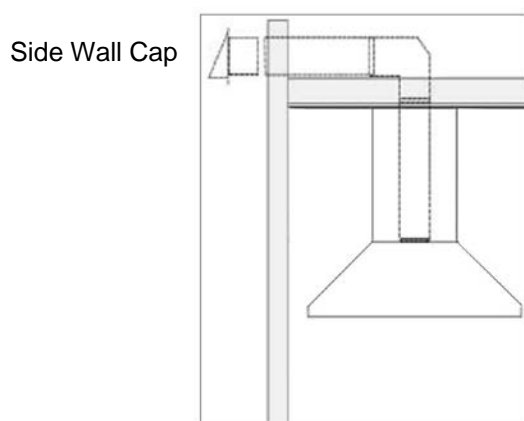
5. VENTING METHODS

- This range hood is 6" top vent for venting through the roof or wall.
- Vent work can terminate either through the roof or wall as shown below.
- To vent through a wall, a 90° elbow or a 6" semi-rigid aluminum duct is needed.
- A minimum of 6" round duct (purchase separately) must be used to maintain maximum airflow efficiency.
- Always use rigid type metal/aluminum ducts if available to maximize airflow.
- Decide the location of the venting pipe from the hood to the outside.
- A straight, short vent run will allow the hood to perform more efficiently. Try to avoid as many transitions, elbows, and long run as possible. This may reduce the performance of the hood.

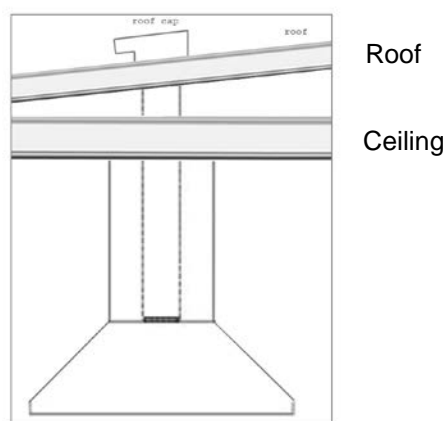
IMPORTANT:

- NEVER exhaust air or terminate duct work into spaces between walls, crawl spaces, ceiling, attics or garages. All exhaust must be ducted to the outside.
- Fasten all connections with sheet metal screws and tape all joints with certified Silver Tape or Duct Tape.
- Use caulking to seal exterior wall or roof opening around the cap.

Option 1: Side Wall Venting



Option 2: Roof Venting

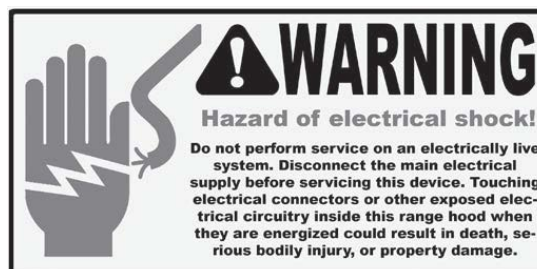


Range Hood

6. ELECTRICAL REQUIREMENTS & SPECIFICATIONS

IMPORTANT: Observe all governing codes and ordinances.

- It is the customer's responsibility to contact a qualified electrical installer.
- A 120 Volt, 60 Hz, AC only, fused electrical supply is required on a 15-amp circuit.
- DO NOT have a fuse in the neutral or ground circuit.
- The 3-prong outlet should be grounded. If the power cord plug is not used, the power cord's green wire should be connected to ground. Check with a qualified electrician if you are not sure that the range hood is properly grounded.
- DO NOT ground to a gas pipe.
- The range hood must be connected with copper wire/plug only.
- The range hood should be connected directly to the fused disconnect (or circuit breaker) box through flexible armored or non-metallic sheathed copper cable. ETL listed strain relief must be provided at each end of the power supply cable.



Specifications

Specifications:	
Body Design	Seamless Stainless Steel, Satin Finish
Power Rating	120V / 60Hz (USA & Canada standard)
General Input Power	242 W (230W + 4x3W)
Motor Input Power	230 W
Ampere	2.5 A
Levels Of Speed Control	4 Levels
Airflow (Q/L/M/H)	385CFM / 490CFM / 715CFM / 900CFM
Noise Level (Q/L/M/H)	1.5Sone(46dB) / 3.5Sone(58dB) / 5.3Sone(64dB) / 7.5Sone(69dB)
Number Of Motors	1 Motor
Motor Type	Single Chamber Ultra Quiet
Fan Type	Centrifugal Squirrel Cage
Control Type	Soft Touch Electronic Control Panel
Filtration Type	Stainless Steel Baffle Filter
Illumination	3W 12V Maximum, Dual Intensity
Venting Size	Top, 6 inches Round
Timer	Delayed auto power shut-off timer

7. INSTALLATION PREPARATION

Test before installing:

- Please unpack the range hood and accessories carefully. Remove the baffle filters.
- Check for any dent or damage inside and outside. If found any losing parts, please remove them.
- Place the range hood on a flat stable surface. Don't install the tempered glass to the range hood. Connect the range hood to a designated standard outlet (120-Volt, 60Hz, AC only). Press the power button and the speed buttons to turn on.
- Check if any unusual metal touching noise, check the speed variation, and press the Light button to check the lights. Verify all functions by referring to Section 9 RANGE HOOD OPERATIONS.
- Place all supplied parts and required hardware on a flat stable surface and verify the existence of all supplied parts listed on Section 2 INCLUDED PARTS & ACCESSORIES.
- Carefully remove the white plastic protective film from the duct cover. The white protective film might not cover all stainless steel area; it was removed prior for welding or packing.

NOTE: To avoid damage to your hood, prevent debris from entering the vent opening.

CAUTION: If moving the cooking range is necessary to install the hood, turn OFF the power on an electric range at the main electrical box. SHUT OFF THE GAS BEFORE MOVING A GAS RANGE.

8. INSTALLATION INSTRUCTIONS

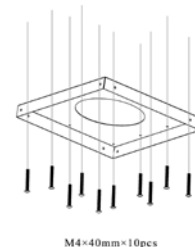
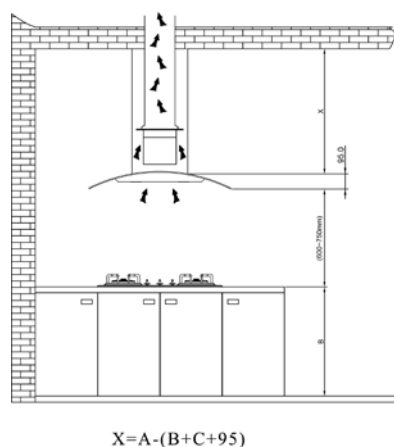
1) Installation planning

- Measure the distance between stove top and the bottom of range hood. A distance of 28" to 32" is recommended. Minimum 25.5" is required for safety concern.
- Decide the venting method and the location of the venting pipe from the hood to the outside.
- Purchase any necessary accessories from a hardware store, such as duct, elbow, reducer, duct tape, screws, etc.
- Find and mark the stud locations using a stud finder to plan the mounting locations firmly.

2) The ceiling must be able to hold at least 265 Lbs weight, and the thickness of the ceiling must be more than 1-1/4" if directly mount the range hood's top mounting plate. Drill one \varnothing 6-3/4" hole in the ceiling for the 6" aluminum duct access. See Pic①.

- The range hood's top mounting plate should be mounted to the studs or lumbers for better support. Build the stud frame above the ceiling for the range hood installation.

3) According to the mounting plate, drill 12 holes in the ceiling, see Pic①, (make sure ceiling does not interfere with electrical outlet box opening in ceiling mounting plate.) Remove cover from electrical outlet box on ceiling mounting plate.

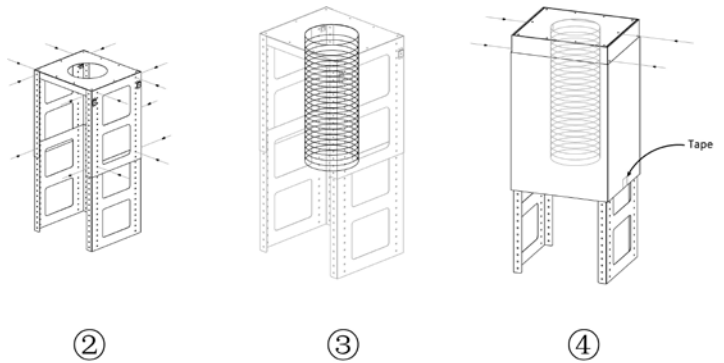


CAUTION: Make sure the range hood is secure before releasing!

①

4) Pull house wiring through hole on top of mounting plate and into electrical outlet box. Secure house wiring cable to mounting plate / electrical box with appropriate connector.

- 12 pcs of ST6*40mm screws will be used to fix the mounting plate on the wood ceiling (for fixing to concrete ceiling, use 8 expansion bolts and screws), and then eight M4*10 screws and M4 nuts with washers will be used to secure the four angle iron bars to the mounting plate to form a mounting frame, see Pic②, calculated the length of the angle iron, and 16pcs of M4*10 big flat screws and M4 nut with washer will be used to secure another four angle iron bars for extension (the overlap length of the angle iron assembly shall not be less than 100mm).

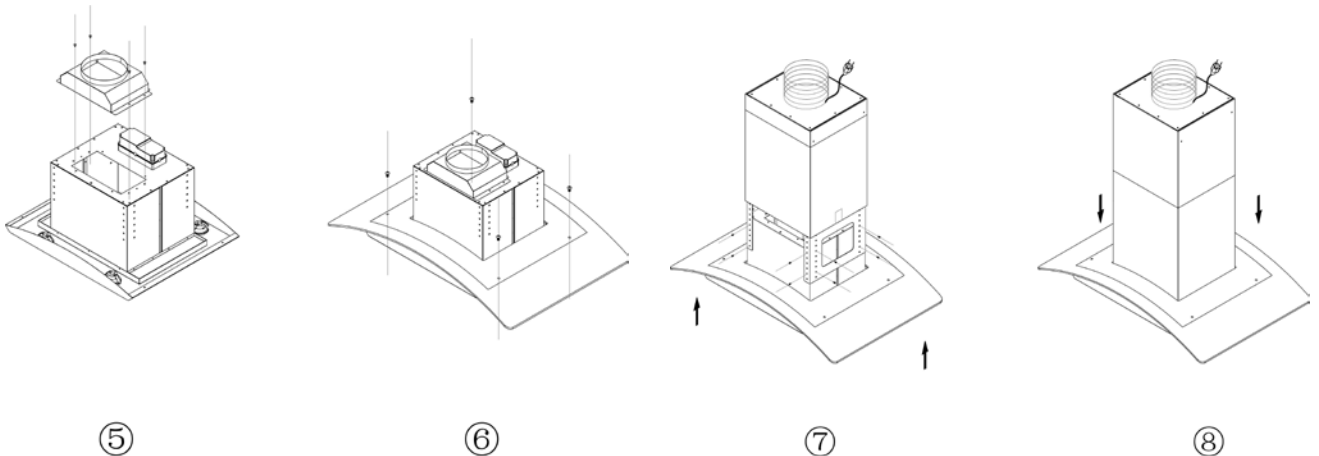


5) Let one end of the 6" aluminum duct go up through the Ø 6-3/4" hole in the ceiling, see Pic③.

6) Use 4 pcs of ST4*8 screws to secure the inner duct cover to the mounting frame, and then attach the outer duct cover to the mounting frame with two hooks. See Pic④.

7) Use 4 pcs of ST4*8 screws to secure the metal air outlet, see Pic⑤.

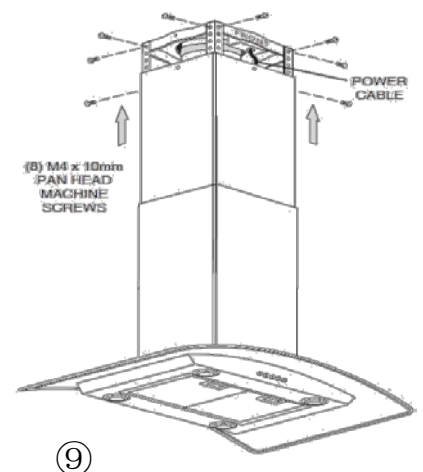
8) Adjust the 4 screws on the glass panel and make sure the glass panel is well assembled to range hood body, see Pic⑥.



9) Connect the bottom of the 6" duct to the top vent using the duct clamp and duct tape. Hold up the hood carefully, use 16 pcs of M4*10 screws to secure the hood body to the metal mounting frame, see Pic⑦.

10) Ensure all the things are fixed, remove the hooks which securing the outer duct cover, and pull the outer duct cover down to the range hood body. See Pic⑧. Connect the top of the 6" duct to roof cap or side wall cap.

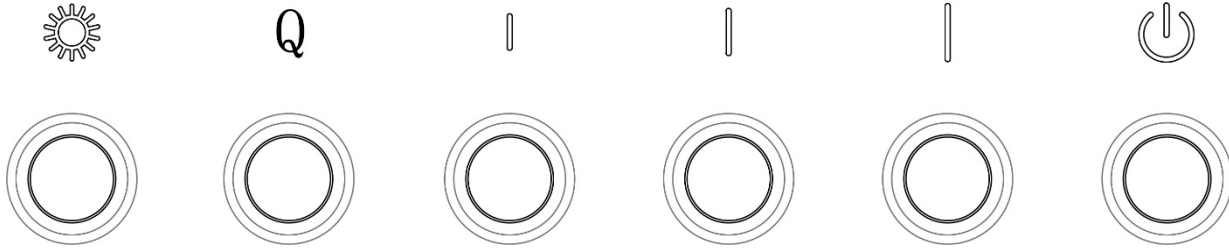
11) Connect power cable to house wiring inside of electrical outlet box. If no electrical outlet for the power plug, connect the wires according to the colors (i.e. Black to Black, White to White, and Green to Green or Bare wires). Secure power cable to wiring box with appropriate connector and re-attach outlet box cover. See Pic⑨



12) Install the baffle filters and turn power ON in control panel. Check all lights and fan operations.

9. RANGE HOOD OPERATIONS

Control Panel Layout and Buttons Configurations:



Light Control:

- Press *Light Control* button once to turn on the lights, and once again to turn off the lights.
- The *Light Control* button operates independently from the *Power Control (On/Off)* button. Pressing the *Power Control* button will not turn LED lights ON or OFF.
- Please turn off the LED lights before activating the power-off delay function. While *Light Control* button will NOT be affected by the power-off delay function.

Turning Fan ON:

Always turn fans ON couple minutes before cooking to establish air flow and allow fans to run for a few minutes after cooking for cleaner air in the kitchen.

The Power Control (On/Off) button must be pressed before a Speed Control button can be activated.

Blower Speed Selection:

- With the range hood is OFF, press the Power Control (On/Off) button once. The LED on the Power Control button will be illuminated.
- While the Power Control LED is illuminated, press one of the four speed control button (Quiet, Low, Medium, and High) to activate the desired speed (the LED on the speed control button will turn on).
- To change the fan speed, press another speed control button. The LED on the speed control button will become illuminated accordingly.

Power-Off Delay Function:

- When the fans are operating in any speed, press the Power Control (On/Off) once to turn on the 3-minute power-off delay function.
- While the fans are in 3-minute power-off delay mode, press the Power Control (On/Off) button once to turn OFF the fans immediately.

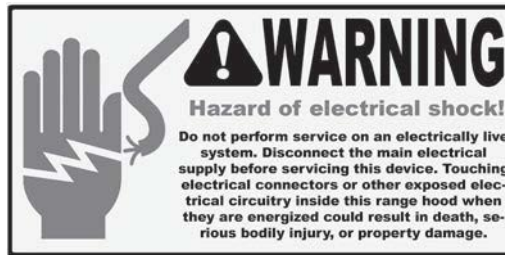
Power Control (On/Off):

- When the fans are operating in any speed, press the Power Control (On/Off) button twice to turn OFF the fans immediately.

Operation Cautions:

- Read and understand all instructions and warnings in this manual before operating the appliance.
- Always leave safety grills and filters in place. Without these components, operating blowers could catch on to hair, fingers and loose clothing.
- NEVER dispose cigarette ashes, ignitable substances, or any foreign objects into blowers.
- NEVER leave cooking unattended. When frying, oil in the pan can easily overheat and catch fire. The risk of self-combustion is higher when the oil has been used several times.
- NEVER cook on “open” flames under the range hood. Check deep-fryers during use: Superheated oil may be flammable.

10. TROUBLESHOOTING



If the range hood or LED light does not operate after installation	<ul style="list-style-type: none"> • Check if the range hood has been plugged in, make sure that all power has been turned back ON, fused not blown and all electrical wiring are properly connected. • Swap out light assembly to working ones to determine whether it is caused by defective bulbs. See <i>Replacing the Light Bulbs</i> on Page 15.
The range hood vibrates when the blower is on	<ul style="list-style-type: none"> • The range hood might not have been secured properly on to the cabinet or wall.
The blower or fan seems weak	<ul style="list-style-type: none"> • Check that the duct sized used is at least 6". Range hood WILL NOT function efficiently with insufficient duct size. For example: 7" duct over 6" top vent and loosely secured. • Check if duct is clogged or if damper unit (half-circular flapper) is not installed correctly or opening properly. A tight mesh on a side wall cap unit might also cause restriction to the air flow.
The lights work but the blower is not spinning at all, is stuck or is rattling	<ul style="list-style-type: none"> • The blower might be jammed or scraping the bottom due to shipping damage. Please contact us immediately.
The hood is not venting out properly	<ul style="list-style-type: none"> • Make sure the distance between the stove top and the bottom of the hood is within recommended 28" and 32" in distance. <i>*Due to different ceiling height configurations, recommended height may not be applicable.</i> • Reduce the number of elbows and length of duct work. Check if all joints are properly connected, sealed, and taped. • Make sure the power is on high speed for heavy cooking.

11. MAINTENANCE AND CLEANING

Cleaning:

- The saturation of greasy residue in the blower and filters may cause increased inflammability. Keep unit clean and free of grease and residue build-up at all times to prevent possible fires.
- For optimal operation, clean range hood and all baffle/spacer/filter/grease tunnel/oil container regularly. Regular care will help preserve the appearance of the range hood.
- Filters must be cleaned periodically and free from accumulation of cooking residue. Old and worn filters must be replaced immediately.
- DO NOT operate blowers when filters are removed. Never disassemble parts to clean without proper instructions. Disassembly is recommended to be performed by qualified personnel only. Read and understand all instructions and warnings in this manual before proceeding.

SAFETY WARNING: Never put your hand into area housing the fan while the fan is operating!

Cleaning Exterior Stainless Steel Surfaces:

- Clean periodically with hot soapy water and clean cotton cloth. DO NOT use corrosive or abrasive detergent, or steel wool/scoring pads, which will scratch and damage the stainless steel surface. For heavier soil use liquid degrease cleaner.
- If hood looks splotchy, use a stainless steel cleaner to clean the surface of the hood. Avoid getting cleaning solution onto or into the control panel. Follow directions of the stainless steel cleaner.
- **CAUTION: DO NOT leave on too long as this may cause damage to hood finish.** Use soft towel to wipe off the cleaning solution, gently rub off any stubborn spots. Use dry soft towel to dry the hood.
- After cleaning, you may use nonabrasive stainless steel polish, to polish and buff out the stainless luster and grain. Always scrub lightly, with clean cotton cloth, and with the grain.
- DO NOT allow deposits to accumulate or remain on the hood.
- DO NOT use ordinary steel wool or steel brushes. Small bits of steel may adhere to the surface and cause rusting.
- DO NOT allow salt solutions, disinfectants, bleaches, or cleaning compounds to remain in contact with stainless steel for extended periods. Many of these compounds contain chemicals, which may be harmful. Rinse with water after exposure and wipe dry with a clean cloth.

Cleaning Stainless Steel Baffle Filters:

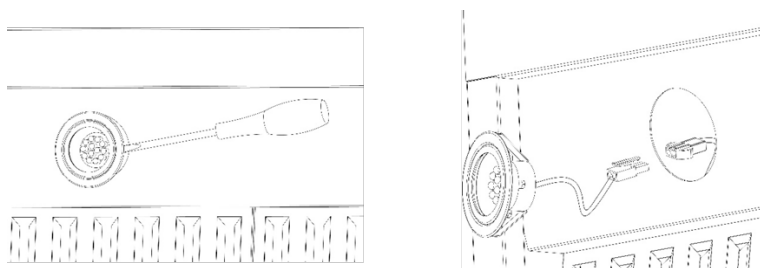
- Remove all baffles, spacers, filters, grease tunnel, and oil containers and discard oil and residue.
- **IMPORTANT:** Drain oil from baffles, spacers, filters, oil tunnels, oil containers before oil and residue overflow!
- Wash with warm soapy water. NOTE: Stainless steel baffles, spacers and oil tunnel are top rack dishwasher safe.
 - **METHOD 1:** Put the mesh into 40-50°C clean water, add detergent, and soak for 2-3 minutes. Wear gloves and clean with a soft brush. Please do not apply excessive pressure, or it will be damaged.
 - **METHOD 2:** They could be put into a dishwasher, only if the temperature is set at around 60°C.
- Dry thoroughly before replacing and follow directions for installation in reverse.
- Filters should be cleaned after every 30 hours of use.

Replacing Filters:

- Should filters wear out due to age and prolonged use, replace the baffle filters immediately.

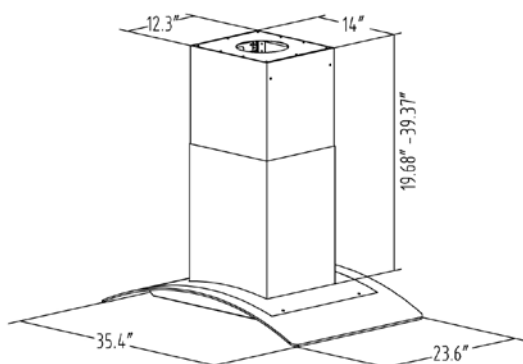
Replacing the Light Bulbs:

- This range hood uses LED bulbs: 3W 12V.
- Make sure the range hood is unplugged or turn OFF breaker.
 1. Gently pull the defective bulb assembly straight out from the edge, and then disconnect the wires.
 2. Connect the new LED bulb's wires and snap the new LED assembly into the housing hole.
 3. Turn ON breaker/power and to test the range hood for operation.



12. MEASUREMENTS AND DIAGRAMS

All measurements in parenthesis are in millimeter.



13. WARRANTY

Please provide an original dated proof of purchase (sales receipt / invoice) in order to obtain warranty.

One Year Parts Warranty:

- For one year from the date of original purchase, we will provide free of charge, non-consumable replacement parts or components that failed due to manufacturing defects. Subject to the conditions and limitations set forth below, we will, at its option, either repair or replace any part of its products that prove defective by reason of improper workmanship or materials.
- Repaired parts or replacement products will be provided by us on an exchange basis, and will be either new or refurbished to be functionally equivalent to new.
- The consumer is responsible for all shipping costs.
- Consumable parts not covered by this warranty include but not limited to: light bulbs, stainless steel baffle filters.

Who is Covered?

- This warranty is extended to the original purchaser for products purchased for ordinary home use in the continental USA.

This Warranty Will Be Voided When:

- Product damaged through negligence, improper installation, accident, abuse, misuse, natural disaster, insufficient or excessive electrical supply, abnormal mechanical or environmental conditions, or any unauthorized disassembly, repair, modification, or failure to follow installation instructions.
- When product is used commercially or other than its intended purpose.
- Damaged because of improper connection with equipment of other manufacturers. Repaired or modified by anyone other than our authorized agents.
- This limited warranty also does not apply to any product on which the original identification information has been altered, obliterated or removed, has not been handled or packaged correctly, has been sold as second-hand.

What is Not Covered?

- Consumable parts such as light bulbs, stainless steel baffle filters. The natural wear of finish, and wear due to improper maintenance, use of corrosive and abrasive cleaning products, pads, and oven cleaner products.
- Chips, dents or cracks due to abuse, misuse, freight damage, or improper installation.
- Damage of product caused by accident, fire, floods or act of God. It is not liable for, and does not cover under warranty, any loss of properties or any costs associated with removing, servicing, installing, or determining the source of problems with our products.

This warranty is valid in the United States. It is non-transferable and applies only to the original purchaser and does not extend to subsequent owners of this product. Any applicable implied warranties, including the warranty of merchantability, are limited in duration to a period of express warranty as provided herein beginning with the date of original purchase at retail and, no warranties, whether express or implied, shall apply to this product thereafter.

To obtain warranty service, you may contact us, its dealer or distributor from which you purchased the product. Please confirm the terms of your dealer's or distributor's policies prior to contacting. Typically, you must include product identification information, including model number and lot number with a detailed description of the problem you are experiencing. You must also include proof of the date of original retail purchase as evidence that the product is within the applicable warranty period.

14. SUPPORT AND CONTACT

Contact your local seller for exchange or repair.

Visit www.awoco.com for most updated information.

Email to sales@awoco.com for technical support and sales activity.